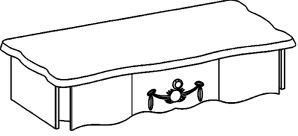
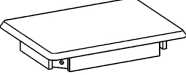
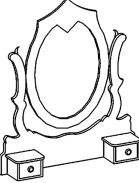






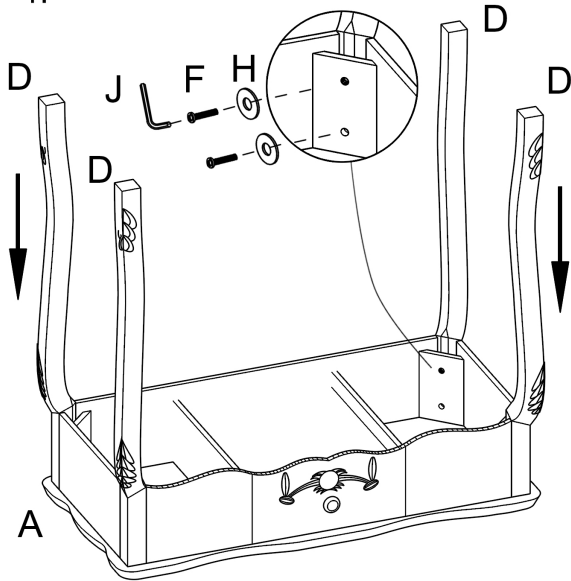


# Assembly Manual

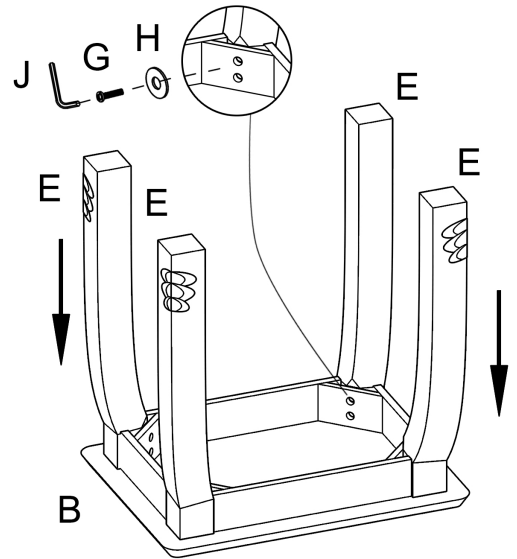
								
<b>A</b>	<b>B</b>	<b>C</b>	<b>D</b>	<b>E</b>	<b>F</b>	<b>G</b>	<b>H</b>	<b>J</b>
1 PC	1 PC	1 PC	4 PCS	4 PCS	8 PCS	8 PCS	16 PCS	1 PC

**STEP 1:**



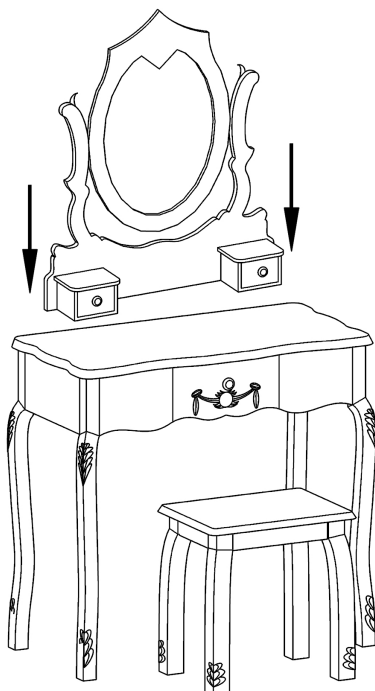
Lay Part A with holes facing up on flat surface. Parts D screw to Part A using Part F, Part H and Part J

**STEP 2**



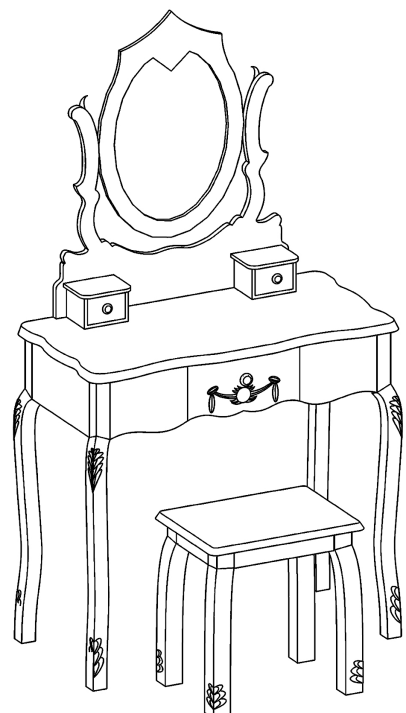
Lay Part B with holes facing up on flat surface. Parts E screw to Part B using Part G, Part H and Part J

**STEP 3**



Put Part C on the top of Part A

**STEP 4**



Completed.